

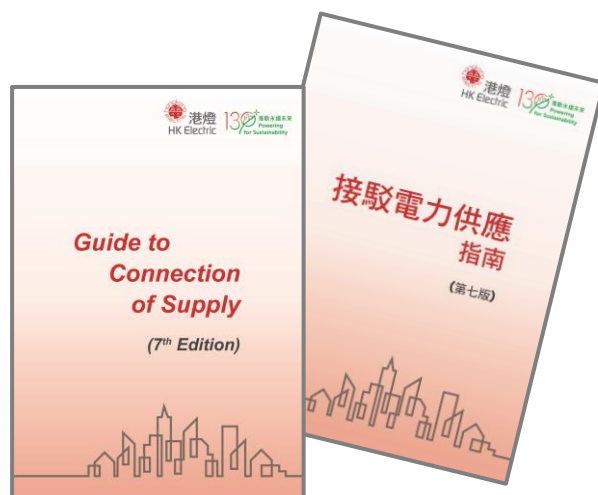
Welcome to our “e-REW Express”. HK Electric published the ‘Guide to Connection of Supply’ (GCS) aiming to introduce our services and illustrate the interface requirements to facilitate the trade to prepare their electrical installations for receiving electricity supply. The latest GCS has come into its seventh edition now. In this and next issues of ‘e-REW Express’, major changes of the GCS will be introduced.

If you have any suggestions, please send an email to us via mail@hkelectric.com or contact our Customer Installation Department on 2887 3455.

Highlights of Major Changes in the 7th Edition of ‘Guide to Connection of Supply’ (Part I)

1. ‘Guide to Connection of Supply’ (7th Edition)

HK Electric published the seventh edition of the “Guide to Connection of Supply” to incorporate our latest interface requirements and update on customer services.



2. Highlights of Major Changes

2.1 Task-specific Risk Assessment for Work Inside False Ceiling (Chapter 2)

If work inside false ceiling is required for our inspection, a task-specific risk assessment should be conducted by a competent person assigned by Registered Electrical Contractor (REC) or the owner of fixed electrical installation to identify all potential hazards associated with work inside false ceiling before the commencement of work and suitable means of access/means of support/working platforms complying with the latest statutory requirements should be provided by site responsible personnel at site.

2.2 Application for Temporary Supply to Construction Sites (Chapter 3)



HK Electric provides a one-stop service under Smart Power for Construction Site (SPCS) to timely provide electricity for construction sites to help reduce carbon emissions throughout the construction life cycle.

Electricity supply for construction site will in general be provided either by establishing a transformer pillar at the site (for a requested load above 800 A three-phase) or by direct cables from existing low voltage network up to the boundary of the site (for a requested load at 800 A three-phase or below).

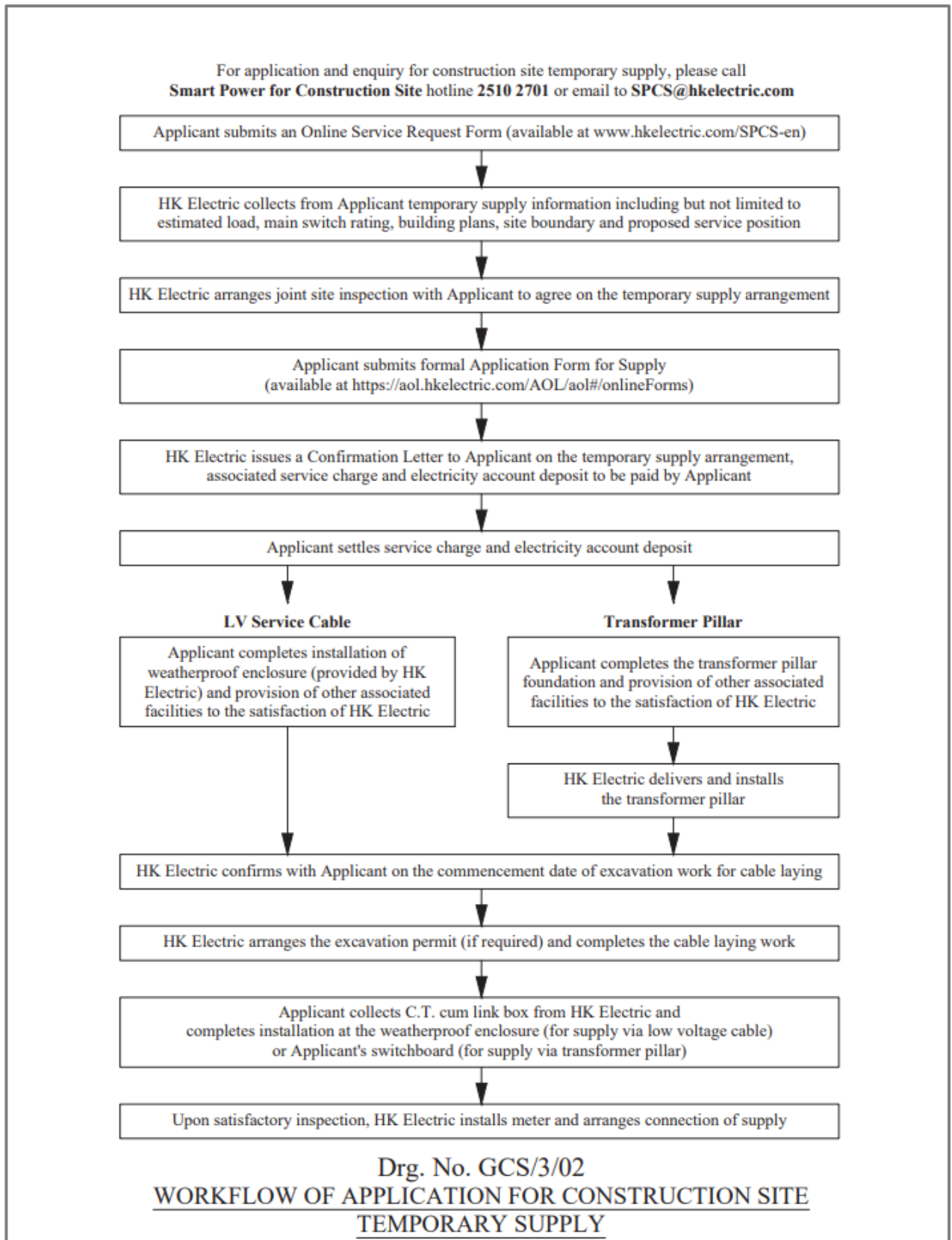


Weatherproof enclosures housing LV service cutout and meter supplied by HK Electric



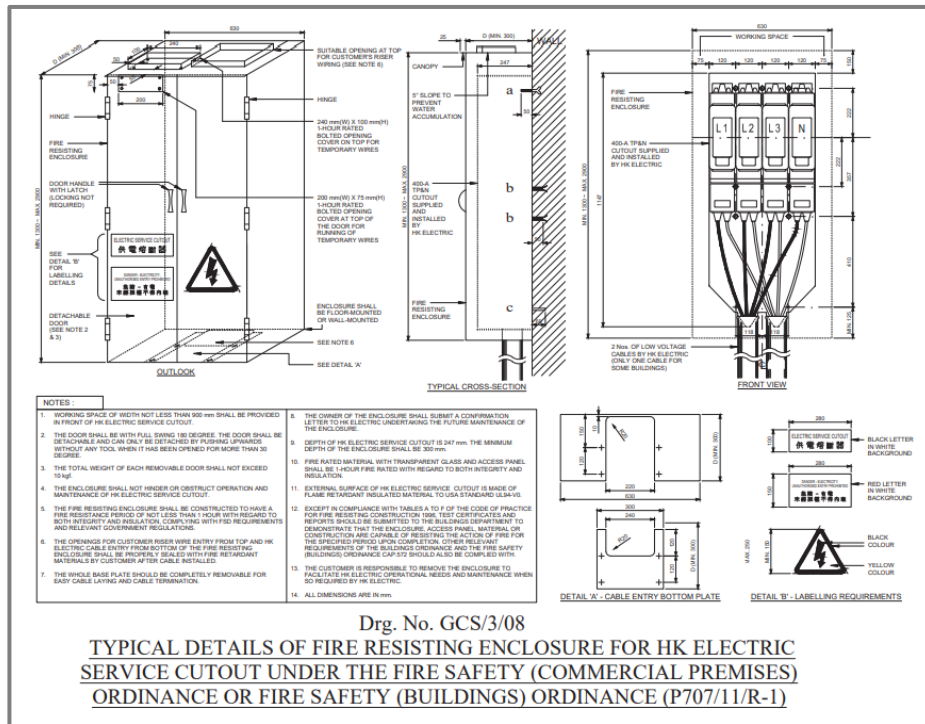
Pre-fabricated modular transformer pillars provided by HK Electric

A workflow of application for construction site temporary supply is provided for your easy reference.



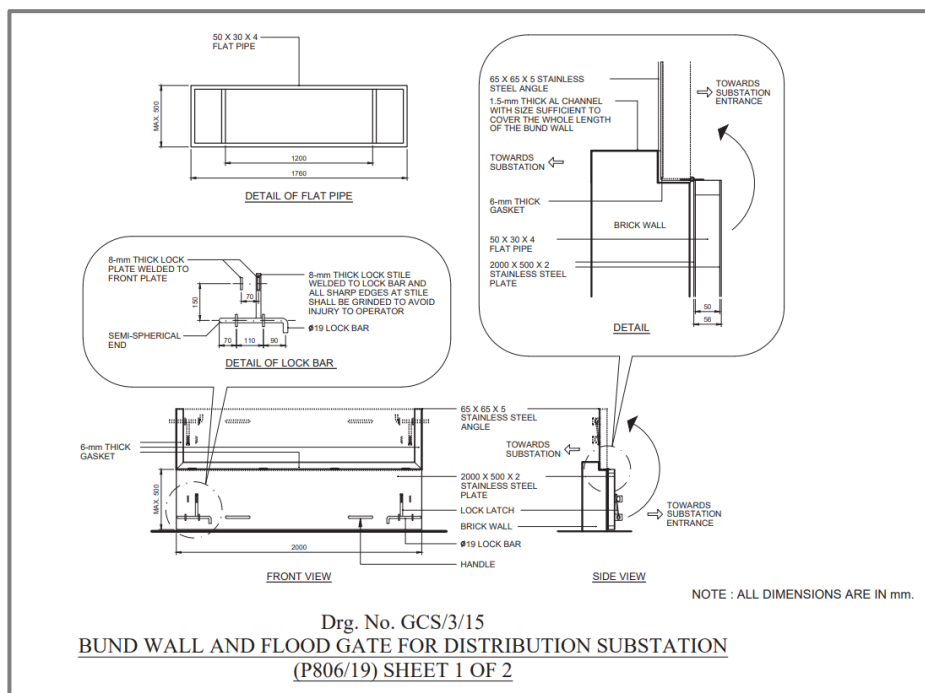
2.3 Fire Resisting Enclosure for HK Electric Service Cutouts (Chapter 3)

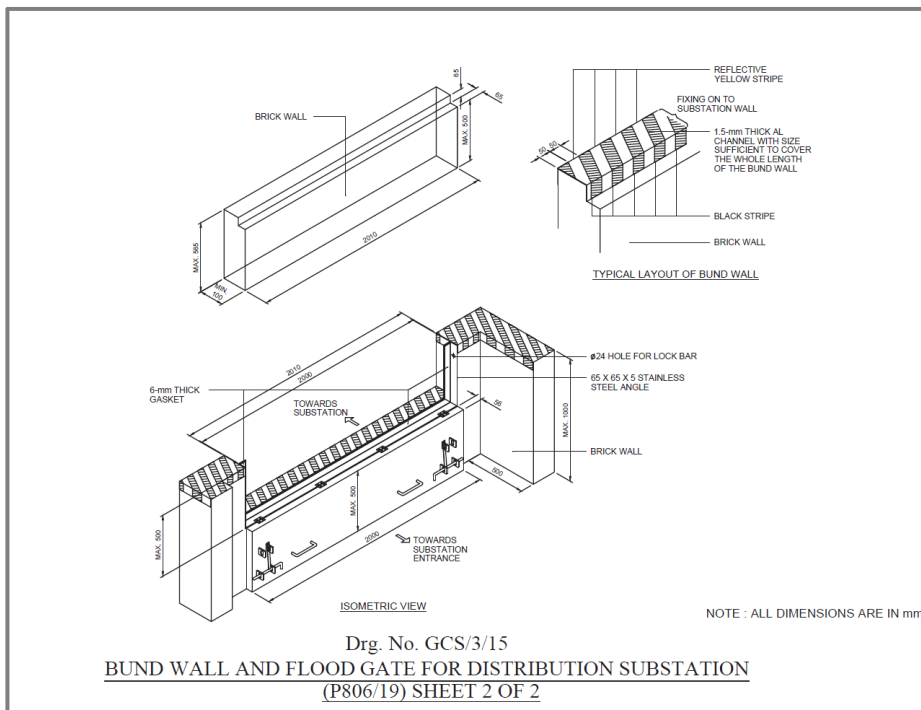
Requirements of fire resisting enclosures for HK Electric service cutouts are listed below.



2.4 Requirements for Bund Wall and Flood Gate (Chapter 3)

To cater for extreme weather, provisions of bund wall and flood gate when constructing distribution substation are required.





2.5 Protection Requirements (Chapter 4)

Typical protection schemes for low voltage main switch directly fed by transformer have been provided on our website. Registered Electrical Worker (REW) may make reference to those schemes via the QR code provided in the GCS for selecting and setting protective devices for their electrical installations to speed up the connection of electricity supply.



We will cover other major changes / updates of the GCS in the next issue. You may download the ‘Guide to Connection of Supply’ (7th Edition) from our website for reference as well.



<https://www.hkelectric.com/en/customer-services/rules-standards-policies/guide-to-connection-of-supply>